



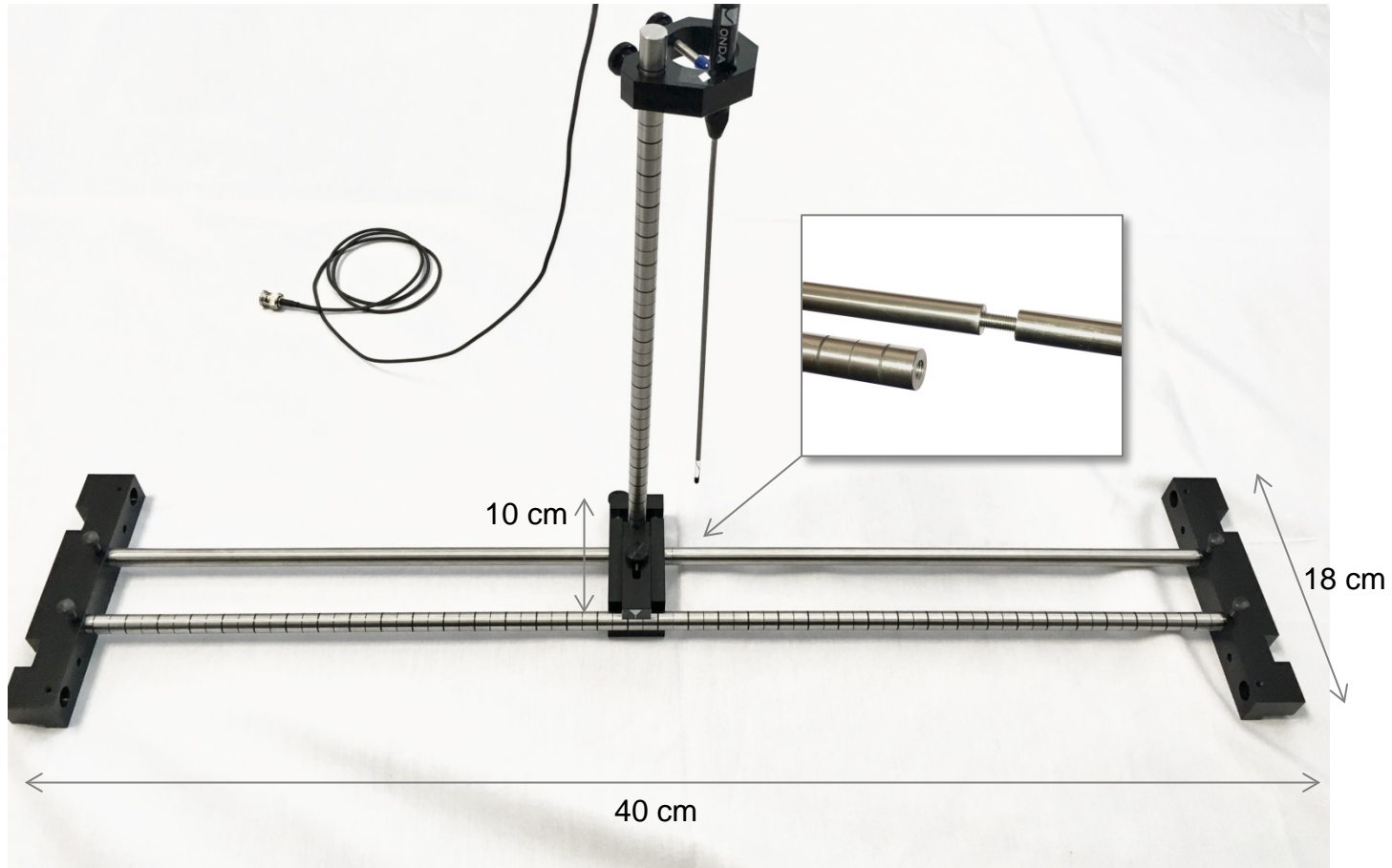
Putting Confidence in Ultrasound

HCT Hydrophone Slide Assembly

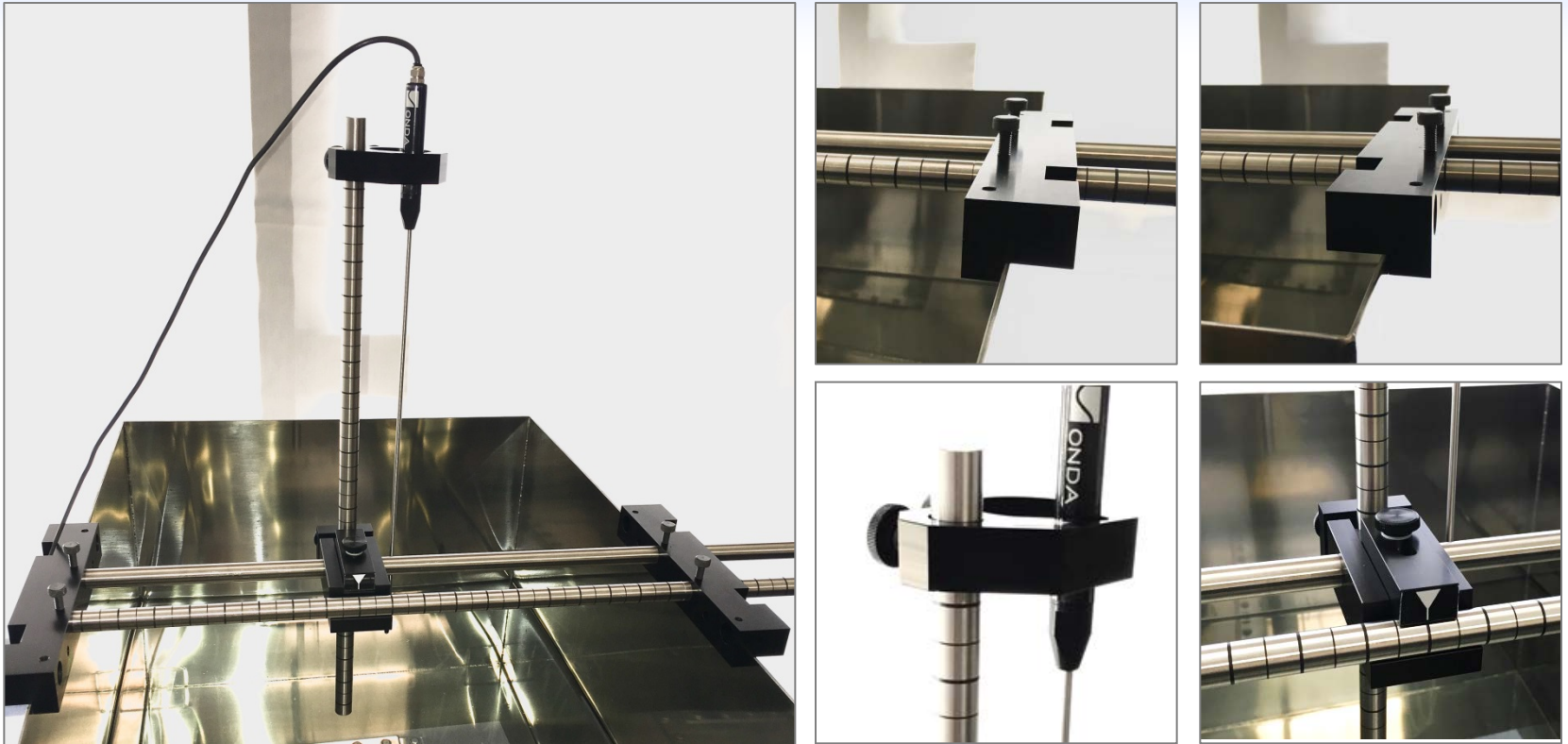
(HYD-SLIDE-XX)

July 19, 2019

Hydrophone Slide Assembly



- Configurable length: 40 to 200 cm (40 cm increments)



- Slider block mounted from inside or outside of tank
- Accommodates various hydrophones
- Graduated alignment marks for consistent positioning

Ultrasound Measurement Solutions

Hydrophones
Meters
Arrays
Scanners



Visit us at: www.ondasonics.com